

FG-2 HANDLE

The FG2 fighter grip handle shares the same benefits of the entire FG handle series in a more compact size with an integrated hand rest. Available with push buttons and rocker switches, the FG2 can be tailored to fit the individual control needs of virtually any application.



SPECIFICATIONS

GENERAL DATA

Type	Fighter Grip, Multi-Function
Specification Description	Shares the same benefits of the entire FG handle series in a more compact size and an integrated hand rest.
Joystick Compatibility	CS3, CS3 B/B, VNSO, XL-VNSO, VNS2, VCSO, VCS2, CS1, PRO-4, PRO-6

FEATURES AND FUNCTIONALITY

Push Buttons	✓
Rocker Switch	✓
Thumbwheel	✗
Handrest	Yes, built-in
Trigger	✗
Operator Presence Switch	✓
Mechanical Interlock	✗
Twist	✗
Capacitive Hand Detection Sensor	✗

TECHNICAL DATA

Handle Height	4.5 in [115 mm]
---------------	-----------------

Additional Specifications Reference product literature for additional specifications

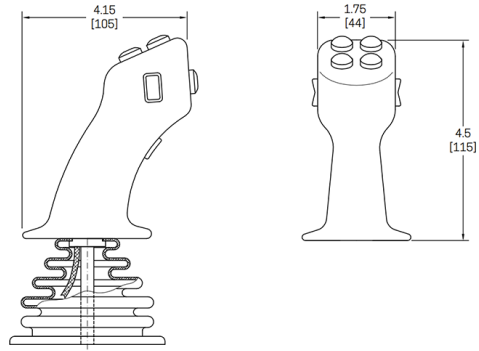
ENVIRONMENTAL DATA

IP Rating	IP42
-----------	------

Technical Drawings

Dimensional

All dimensions in inches [mm] and are subject to change.



FG2 dimensions