

MO MINI JOYSTICK

The MO finger operated joystick features an ultra-compact and rugged construction. Available in single or dual axis, the MO mini joystick can be configured with different handle types and with microswitch or potentiometer output.



SPECIFICATIONS

GENERAL DATA

# of Axis	Single or Dual
Output Options	Microswitches & Potentiometer
Joystick Action	Spring Return or Friction Brake
Handle Travel	+/- 28 degrees each axis
Gate	Open or Cross
Max # of Steps	Up to 5-0-5
Handle Compatibility	Tapered, round ball, push button or mechanical interlock
Life	3-5 million cycles each direction
Materials	High strength, glass filled nylon housing.
Est. Shipping Weight	2 lbs.
Est. Shipping Dimensions	8 in. x 6 in. x 6 in.

MOUNTING DATA

Mounting Style	Panel (from below)
Mounting Footprint	2.5" x 2.5" See literature for additional mounting specifications

ENVIRONMENTAL DATA

IP Rating IP54

Operating Temperature -4 to +140 degrees F [-20 to +60 degrees C]

ELECTRICAL DATA

Switch Type:
SPDT (Form C) SS Series Microswitches

Max. Number:
Up to 4 per axis with potentiometer
Up to 8 per axis without potentiometer

Contact Specifications Current Rating (AC):
5A

Voltage Rating (AC):
250

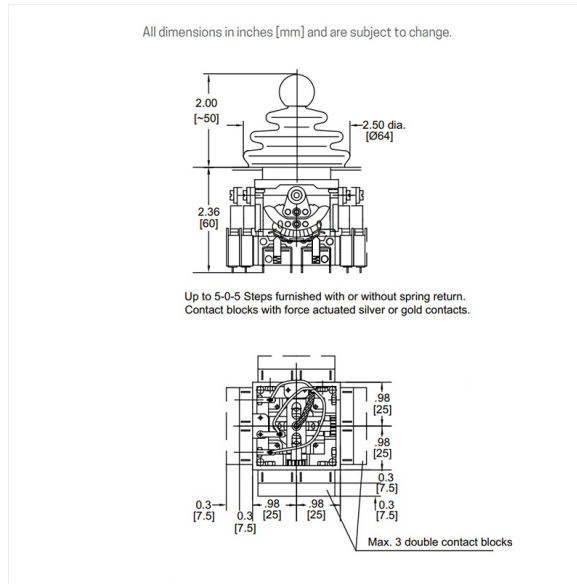
Termination:
.110 x .20" quick disconnect

Max. Wire Size:
18 AWG

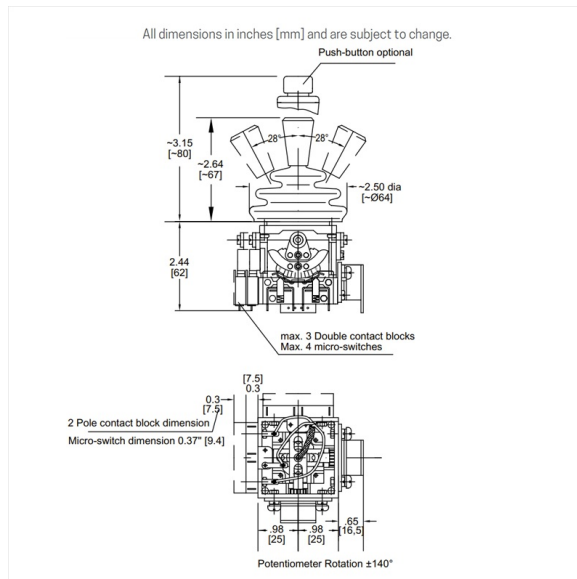
Additional Specifications Reference product literature for additional specifications

Technical Drawings

Dimensional



MO Dimensions. Shown with round ball handle.



MO Dimensions. Shown with tapered handle and push button handle