

## **MERRITT ULTRA**

The Merritt Ultra (formerly SV1C) consists of a rigid, heavy duty construction and oversized consoles to house a multitude of joysticks, controllers, and pilot devices. The heavy duty operator chair system also features a range of manual seat adjustments for positioning flexibility.

## **SPECIFICATIONS**

## GENERAL DATA

Unique Features	<ul style="list-style-type: none"><li>- Highly rugged design</li><li>- Oversized consoles for large number of devices</li></ul>
Console Width	9", 12.5", 13.5" or 15" Forward sloping consoles also available in 13.5" and 15" sizes
Max Number of Devices	<p><i>9" Console</i> Up to 13 devices and 1 joystick</p> <p><i>12.5" Console</i> Up to 24 devices and 1 joystick or 22 devices and 2 (1-axis) joysticks</p> <p><i>13.5" Console</i> Up to 27 devices and 1 joystick or 23 devices and 2 joysticks</p> <p><i>15" Console</i> Up to 33 devices and 1 joystick or 31 devices and 2 joysticks</p>
Seat Options	Actimo Seat (Velour or Vinyl)  <i>Options</i> <ul style="list-style-type: none"><li>- Armrests with tilt and height adjustments</li><li>- 2-point retractable seat belt</li><li>- 4-point shoulder harness</li><li>- Operator presence switch</li></ul>
Suspension Options	<i>Mechanical Suspensions</i> <ul style="list-style-type: none"><li>- 3 Step (weight up to 285 lbs)</li><li>- Heavy Duty (weight up to 400 lbs)</li></ul> <i>Pneumatic (Air) Suspensions</i> <ul style="list-style-type: none"><li>- Standard (weight up to 330 lbs)</li><li>- Wide (weight up to 375 lbs)</li><li>- Heavy Duty (weight up to 485 lbs)</li></ul>
Armrest Type	Console mounted armrests with height adjustment.
Footrest Option	<ul style="list-style-type: none"><li>- 2-piece fixed footrest</li><li>- 1-piece (platform-style) fixed footrest</li></ul>
Est. Shipping Weight	490 lbs.
Est. Shipping Dimensions	60 in. x 45 in. x 52 in.

## ADJUSTMENT FEATURES

System Rotation	Optional, up to 270 degrees
System Height	✓
System Tilt	✗
Consoles Slide Forward/Backward	Optional
Consoles Tilt	✗
Consoles - Slew In/Out	✗
Armrests - Height	✓
Armrests - Tilt	✗
Armrests - Slide Forward / Backward	✗
Seat - Slide Forward / Backward	✓
Seat - Recline	✓
Seat - Lumbar	✓
Footrest - Height / Tilt	✗

## TECHNICAL DATA

	270 degrees max with pin lock or friction brake
Rotation Optional	<p><i>Pin Lock</i> 4 locking positions (every 90 degrees). Positions can be customized to your specifications.</p> <p><i>Friction Brake</i> System holds throughout +/- 135 degrees of travel.</p>

*System with 9" Consoles*  
23.4" [594 mm]

*System with 12.5" Consoles*  
26.7" [678 mm]

*System with 13.5" Consoles*  
27.3" [693 mm]

**Max Turning Radius**

*System with 13.5" Forward Sloped Consoles*  
28.1" [715 mm]

*System with 15" Consoles*  
28.7" [729 mm]

*System with 15" Forward Sloped Consoles*  
29.5" [748 mm]

**Slide Range** 8" [203 mm] single seat slide range  
16" [406 mm] dual seat slide range (optional)

**Armrest Adjust Range** Height: 3.5" [75 mm]

**Console Adjust Range** 8" [203 mm] console slide range (optional)

**Backrest Recline** *Actimo Seat*  
80 degrees  
46 degrees with 4-point shoulder harness

**Seat Cushion Adjust Range** *Actimo Seat*  
Depth: 2.4" [60 mm] in 5 increments forward  
Tilt: 3-11 degrees in 4 increments

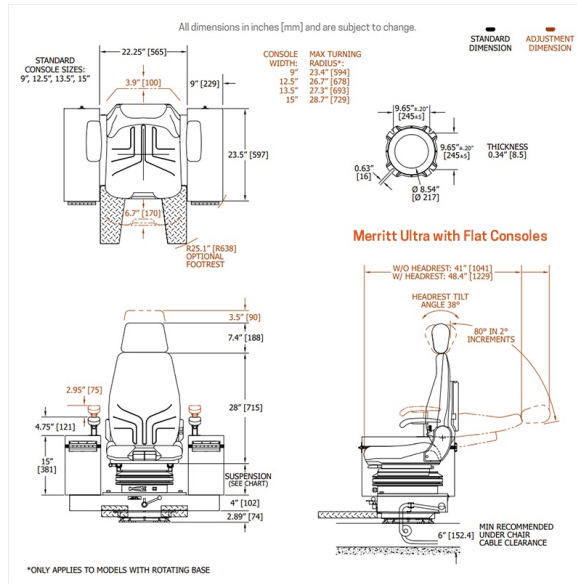
**Headrest Adjust Range** *Actimo Seat*  
Height adjustment: 3.5" [90mm]  
Tilt: 38 degrees

**Under Chair Cable Clearance** 6" [152.4 mm] Min

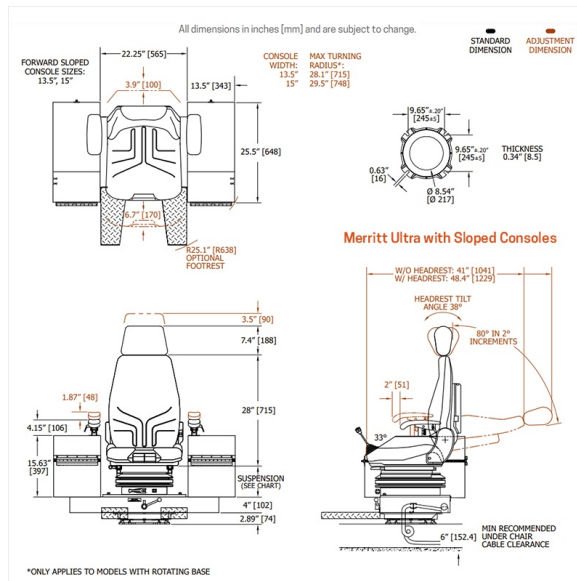
**Additional Specifications** Reference product literature for additional specifications and options

# Technical Drawings

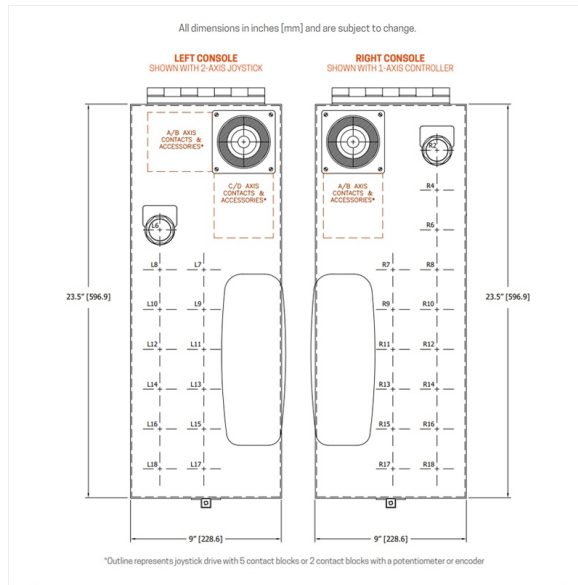
## Dimensional



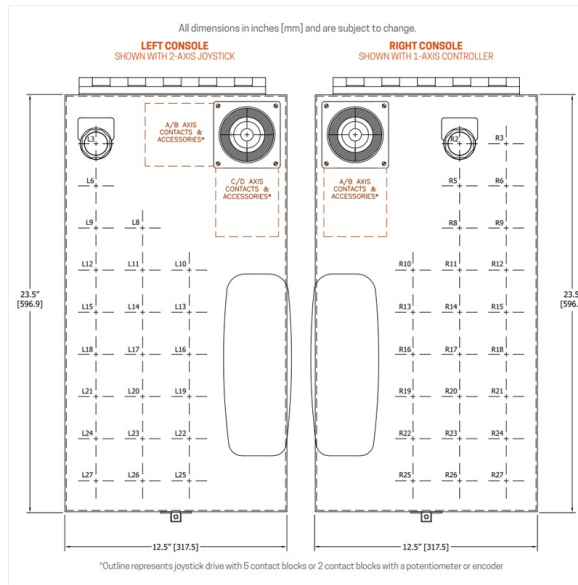
Flat console model dimensions



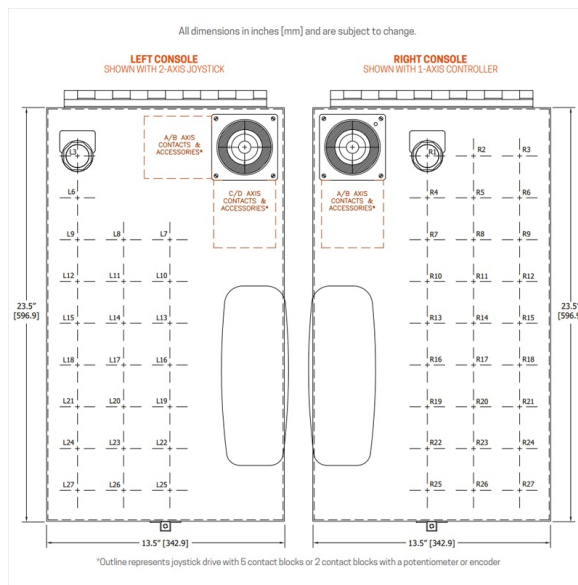
Sloped console model dimensions



9 inch console standard layout

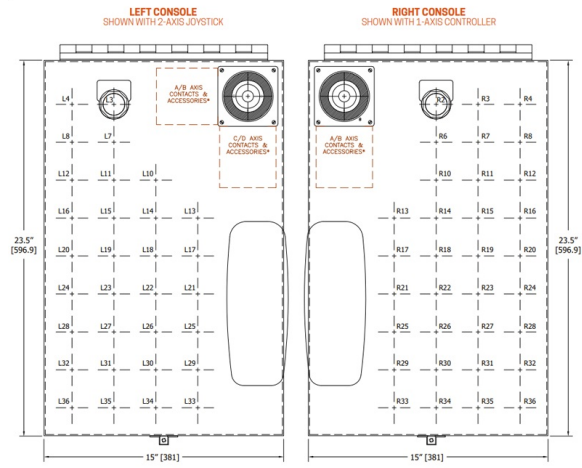


12.5 inch console standard layout



13.5 inch console standard layout

All dimensions in inches [mm] and are subject to change.



\*Outline represents joystick drive with 5 contact blocks or 2 contact blocks with a potentiometer or encoder

\*Outline represents joystick drive with 5 contact blocks or 2 contact blocks with a potentiometer or encoder

15 inch console standard layout