

ST4 JOYSTICK

A joystick specially-designed for wind, rain, snow and ice. Particularly applicable to construction and agricultural machinery without a cabin. For everything that is exposed to wind, weather and sunlight.



SPECIFICATIONS

GENERAL DATA

# of Axis	Single
Output Options	Potentiometer
Joystick Action	Spring Return, Friction Brake
Handle Travel	+/- 26 degrees each axis
Handle Compatibility	G45 and G45-Z
Life	6 million cycles

MOUNTING DATA

Mounting Style	Panel (from below)
----------------	--------------------

ENVIRONMENTAL DATA

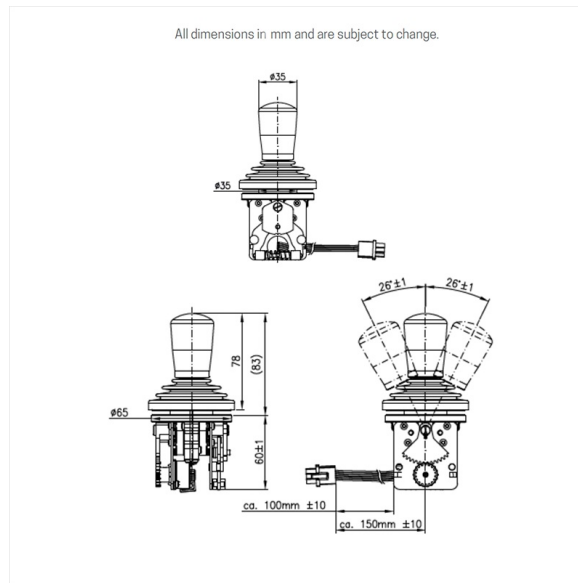
IP Rating	IP67
Operating Temperature	-40 to +185 degrees F [-40 to +85 degrees C]
Storage Temperature	-58 to +194 degrees F [-50 to +90 degrees C]

ELECTRICAL DATA

Additional Specifications	Reference product literature for additional specifications
---------------------------	--

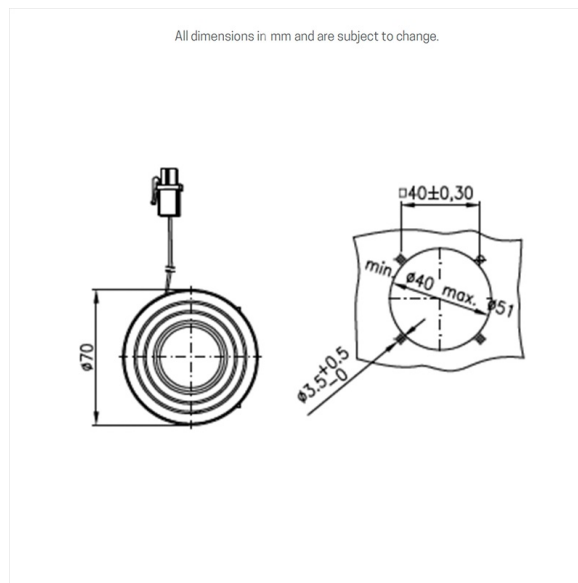
Technical Drawings

Dimensional



ST4 dimensions

Mounting



ST4 mounting dimensions