

FG-5 HANDLE

The FG5 fighter grip handle offers optimal comfort and performance in a rugged design. Ideal for left-hand or right-hand applications, the FG5 can be completely customized with a range of devices and functions, including push buttons, rocker switches, thumbwheels and a trigger.



SPECIFICATIONS

GENERAL DATA

Type	Fighter Grip, Multi-Function
Specification Description	Ideal for left-hand or right-hand applications, the FG5 fighter grip offers reliability and a true trigger.
Joystick Compatibility	CS3, CS3 B/B, VNSO, XL-VNSO, VNS2, VCSO, VCS2, CS1, PRO-4, PRO-6

FEATURES AND FUNCTIONALITY

Push Buttons	✓
Rocker Switch	✓
Thumbwheel	✓
Handrest	✗
Trigger	✓
Operator Presence Switch	✗
Mechanical Interlock	✗
Twist	✓
Capacitive Hand Detection Sensor	✗

TECHNICAL DATA

Handle Height	6.6 in [167 mm]
---------------	-----------------

Additional Specifications Reference product literature for additional specifications

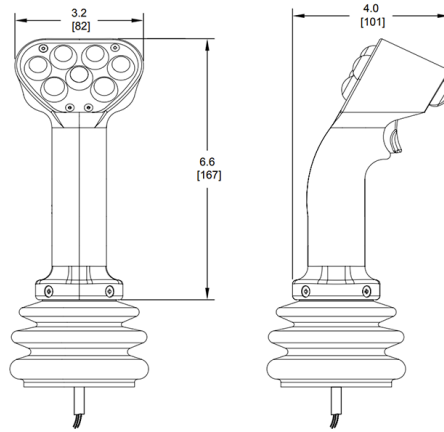
ENVIRONMENTAL DATA

IP Rating	IP54
-----------	------

Technical Drawings

Dimensional

All dimensions in inches [mm] and are subject to change.



FG5 dimensions