

## M4 B/B MINI JOYSTICK

The M4 B/B is a compact finger operated joystick designed specifically for bang / bang (on / off) operation. Available in single or dual axis control, the M4 B/B features a glass-filled Zytel housing and non-ferrous components making it suitable for corrosive and hostile environments.



## SPECIFICATIONS

### GENERAL DATA

# of Axis	Single or Dual
Output Options	Microswitches
Joystick Action	Spring Return
Handle Travel	+/- 15 degrees each axis
Gate	Open or Cross
Handle Compatibility	Tapered, 2 piece, push button, or mechanical interlock
Life	20 million cycles
Materials	High strength, glass filled nylon housing.
Est. Shipping Weight	2 lbs.
Est. Shipping Dimensions	8 x 6 x 6 in.

### MOUNTING DATA

Mounting Style	Panel (from below)
Mounting Footprint	1.9" x 1.9" See literature for additional mounting specifications

## ENVIRONMENTAL DATA

IP Rating IP54

Operating Temperature -13 to +158 degrees F [-25 to +70 degrees C]

Storage Temperature -40 to +158 degrees F [-40 to +70 degrees C]

## ELECTRICAL DATA

Switch Type:  
SPDT (Form C) V Series Microswitches

Max. Number:  
Up to 2 per axis

Current Rating (AC):  
11A

Voltage Rating (AC):  
250

Contact Specifications

Current Rating (DC):  
6A

Voltage Rating (DC):  
12 - 24

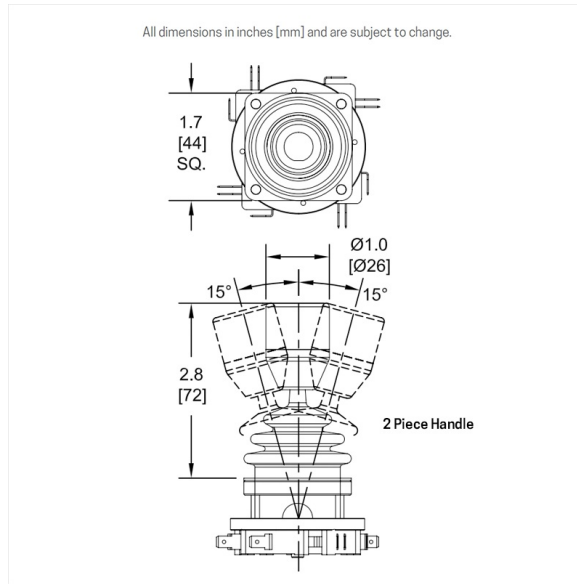
Termination:  
.187" x .20" male quick connect

Max. Wire Size:  
18 AWG

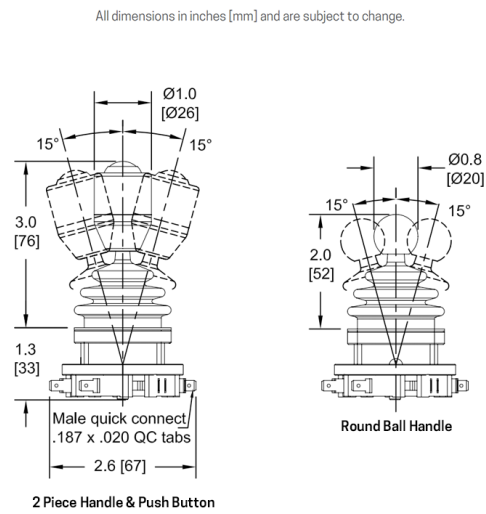
Additional Specifications Reference product literature for additional specifications

# Technical Drawings

## Dimensional

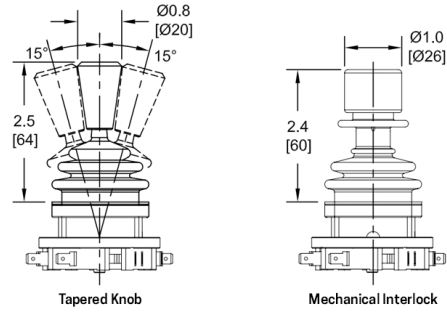


M4 dimensions. Shown with 2 piece handle.



Push Button handle and round ball handle dimensions

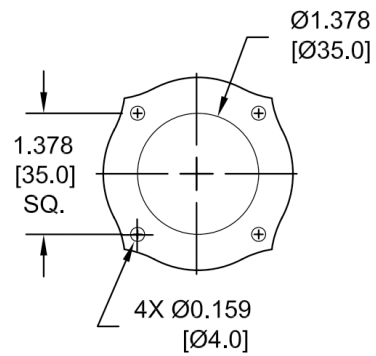
All dimensions in inches [mm] and are subject to change.



Tapered knob and mechanical interlock handle dimensions

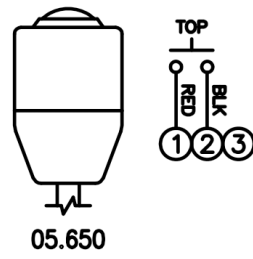
## Mounting

All dimensions in inches [mm] and are subject to change.



Panel mounting details (mounts from below)

## Wiring



Push button wiring details